



IS6520: OEM Scan Engine



MS6520: Presentation Scanner



MS/IS6520 Cubit® is a compact, omnidirectional bar code scanner for retail presentation scanning applications, or integrated with Original Equipment Manufacturer (OEM) equipment.

IS/MS6520 Cubit®

Features

Both Models

- Fully automatic scanning operation
- User-replaceable, single cable interface to host
- Decodes RSS-14, RSS Limited and RSS Expanded bar codes
- OPOS and JPOS System Compatible

MS6520 Only

- Bracket adds vertical tilt capability

IS6520 Only

- Mountable in OEM equipment

Metrologic's Cubit is a compact, omnidirectional bar code scanner for retail presentation scanning applications, or integrated with Original Equipment Manufacturer (OEM) equipment.

As a retail scanner, the MS6520 Cubit is equipped with a mounting bracket that can be attached securely to a countertop or wall for fixed-mount scanning. The mounting bracket allows for rotation as well, with a locking design that gives Cubit 64° of tilt, making it perfect for installation underneath check writing and credit card stands. Cubit's housing design allows for added protection and durability to withstand the rigors of even the busiest point-of-sale environment.

As an OEM scan engine, the IS6520 Cubit is easy to install using integrated threaded mounting holes, quick-disconnect cables and serial programming. The modular design of the IS6520 is versatile enough for integration into a diversity of applications including kiosks, reverse vending machines, time/attendance machines and price look-up systems.

Projecting a patented omnidirectional scan pattern, Cubit can scan and decode all standard bar codes as they are presented in any orientation.

Cubit looks good, too. Available in three different colors, Cubit blends cosmetically with virtually any existing point-of-sale equipment.

Ideal for price look up, kiosks



...presentation scanning and



...reverse-vending machines



IS/MS6520 Cubit®

OPERATIONAL

Light Source	Visible Laser Diode 650 nm ± 10 nm
Laser Power	0.674 mW (peak)
Depth of Scan Field (programmable)	0 mm - 178 mm (0" - 7") for 0.33 mm (13 mil) bar code at default setting
Width of Scan Field	38 mm (1.5") @ face; 102 mm (4") @ 178 mm (7")
Scan Speed	1000 scan lines per second
Scan Pattern	5 fields of 4 parallel lines (omnidirectional)
Number of Scan Lines	20
Minimum Bar Width	0.145 mm (5.7 mil)
Decode Capability	Autodiscriminates all standard bar codes, including RSS; for other symbologies call Metrologic
System Interfaces	RS232, Light Pen Emulation, Keyboard Wedge, Stand Alone Keyboard, USB (low speed and full speed)
Print Contrast	35% minimum reflectance difference
Number Characters Read	Up to 80 data characters
Roll, Pitch, Yaw	360°, 60°, 60°
Beeper Operation	7 tones or no beep
Indicators	Green = laser on, ready to scan Red = good read

MECHANICAL

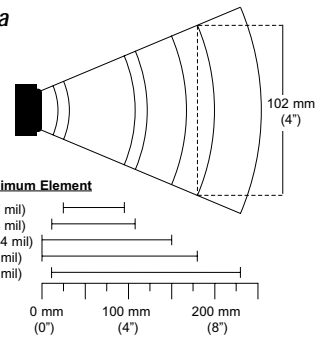
Length	IS6520: 102 mm (4.0")	MS6520: 133 mm (5.25")
Width	83 mm (3.25")	103 mm (4.06")
Height (front edge)	70 mm (2.75")	88 mm (3.25")
Height (back edge)	55 mm (2.25")	81 mm (3.18")
Weight	IS6520: 298 g (10.5 oz)	MS6520: 460 g (16.2 oz)
Termination	10 position modular RJ45 connector	
Cable	Standard 2.1 m (7') straight; optional 2.7 m (9') coiled for other cables call Metrologic	
Mounting Holes	3 mm threaded; maximum depth of 6 mm (0.24")	

ELECTRICAL

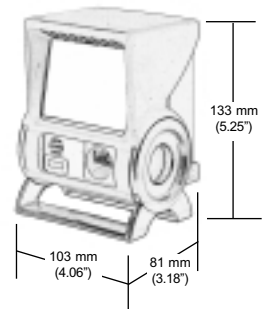
Input Voltage	5 VDC ± 0.25 V
Power	1.0 W
Operating Current	200 mA typical @ 5 VDC
DC Transformers	Class 2; 5.2 VDC @ 650 mA
Laser Class	CDRH: Class IIa; EN60825-1:1994/A11:1996 Class 1
EMC	FCC, ICES-003 & EN55022 Class A

Operating Temperature	-20°C to 40°C (-4°F to 104°F)
Storage Temperature	-40°C to 60°C (-40°F to 140°F)
Humidity	5% to 95% relative humidity, non-condensing
Light Levels	Up to 4842 Lux (450 footcandles)
Contaminants	Sealed to resist airborne particulate contaminants
Ventilation	None required

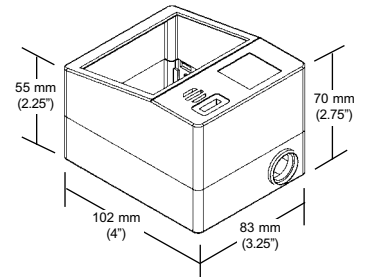
Scan Area



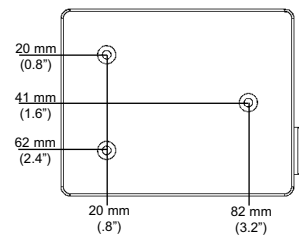
Dimensions (In housing)



Dimensions (without housing)



Mounting Holes (rear side of unit)



Cubit is available in the following colors



Pearl White



Light Grey



Black

Sample only, actual colors may vary



Specifications subject to change without notice.
Printed U.S.A., Copyright November 2002
Metrologic, All rights reserved.



DS6520



RUOSS-KISTLER AG, Kantonsstrasse 55, 8863 Buttikon

Tel.: (+41) 055 464 35 15 Mail: handel@ruoss-kistler.ch

Fax: (+41) 055 464 35 01 Internet: www.ruoss-kistler.ch