



**VoyagerBT™** is a wireless, laser bar code scanner designed for low to medium throughput Point of Sale (POS) or light warehouse applications where the convenience of a wireless hand held scanner is needed.

## MS9535 VoyagerBT™

Sunrise 2005 Compliant

### Features

- Cable-free scanning using Bluetooth™ technology
- CodeGate® data transmission technology ideal for menu scanning
- Up to 14,000 scans per charge
- Adjustable volume and beeper tone
- Stylish recharging station, wall or countertop mounting
- 10 meter (33') working range
- Supports commonly used interfaces including USB
- Easy programming using Windows software or bar codes
- Decodes RSS-14, RSS Limited and RSS Expanded bar codes

**Metrologic's VoyagerBT** offers convenience and the freedom of mobility by incorporating Bluetooth wireless technology. This latest member of the Voyager Series continues the trend of combining patented technology, high performance, and a futuristic design.

VoyagerBT provides a lightweight, comfortable, and easy to use scanning solution. The patented CodeGate feature remains at the core of the scanner's functionality. The scanner wakes with a touch of the CodeGate button activating the IR sensor. After scanning a bar code, simply press the CodeGate button and the data is transmitted wirelessly to the host. Operators will find the brightly-lit laser easy to see and to line up on a

desired bar code making VoyagerBT perfect for menu scanning applications.

Scanning large or heavy products can be done quickly and easily. VoyagerBT offers check-out personnel the ability to scan bulky items without the need for unnecessary heavy lifting by customers or check out personnel, making for added convenience.

VoyagerBT includes the ability to decode Reduced Space Symbology (RSS) bar codes. VoyagerBT can be used in applications including supermarkets, hypermarkets, warehouse shopping clubs, retailers, light warehouse and manufacturing.



# MS9535 Voyager<sup>BT</sup>™

## OPERATIONAL

Light Source	Visible Laser Diode 650 nm ± 10 nm
Laser Power	0.96 mW (peak)
Depth of Scan Field	0 mm - 203 mm (0" - 8") for 0.33 mm (13 mil) bar codes
Width of Scan Field	64 mm (2.5") @ face; 249 mm (9.8") @ 203 mm (8.0")
Scan Speed	72 ± 2 scan lines per second
Scan Pattern	Single scan line
Minimum Bar Width	0.127 mm (5.0 mil)
Decode Capability	Autodiscriminates all standard 1-D and RSS-14 bar codes; for other symbologies call Metrologic
System Interfaces	PC Keyboard Wedge, RS232, Light Pen Emulation, Stand Alone Keyboard, USB (low speed and full speed)
Print Contrast	35% minimum reflectance difference
Number Characters Read	Up to 80 data characters
Roll, Pitch, Yaw	42°, 68°, 52°
Beeper Operation	7 tones or no beep
Indicators (LED)	Blue = laser on, ready to scan; yellow = auto trigger mode active; White = good read

## MECHANICAL

Height	198 mm (7.8")
Depth	40 mm (1.6")
Width	Handle: 45 mm (1.8"); Head: 78 mm (3.1")
Weight	149 g (5.25 oz)
Termination	10 pin modular RJ45
Cable	Standard 2.7 m (9') coiled; optional 2.1 m (7') straight

## ELECTRICAL

Input Voltage	5 VDC ± 0.25 V
Power - Operating	1.5 W
Power - Standby	185 mW
Current - Operating	290 mA (max) @ 5 VDC
Current - Standby	37 mA typical @ 5 VDC
DC Transformers	Class 2; 5.2 VDC @ 650 mA
Laser Class	CDRH: Class II; EN60825-1:1994/A11:1996 Class 1
EMC	FCC, ICES-003 & EN55022 Class B
Battery Capacity/Recharge Time	14000 scans per charge/recharge time=2.5 hrs
Radio Range	10 m (33 ft)

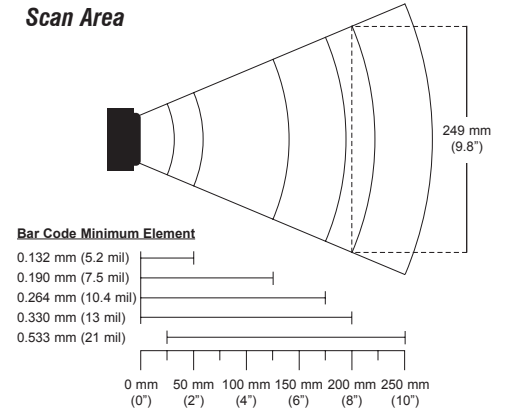
## ENVIRONMENTAL

Operating Temperature	0°C to 40°C (32°F to 104°F)
Storage Temperature	-40°C to 60°C (-40°F to 140°F)
Humidity	5% to 95% relative humidity, non-condensing
Light Levels	Up to 4842 Lux (450 footcandles)
Shock	Designed to withstand 1.5 m (5') drops
Contaminants	Sealed to resist airborne particulate contaminants
Ventilation	None required

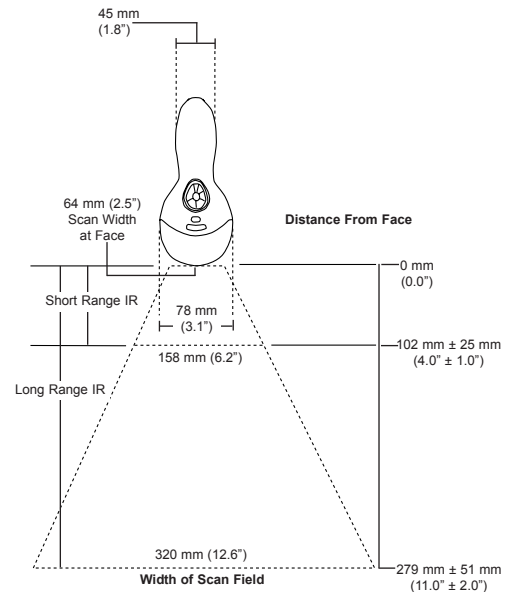
Voyager<sup>BT</sup> is available in the following colors



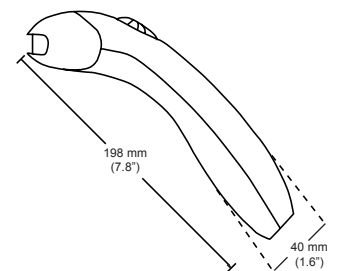
## Scan Area



## IR Activation and Scan Width



## Dimensions



RUOSS-KISTLER AG, Kantonsstrasse 55, 8863 Buttikon

Tel.: (+41) 055 464 35 15      Mail: handel@ruoss-kistler.ch

Fax: (+41) 055 464 35 01      Internet: www.ruoss-kistler.ch