

**MS9540 Voyager<sup>cc</sup>** is an advanced single line laser bar code scanner with automatic activation and sophisticated data transmission via Metrologic's proprietary CodeGate technology.



**WARRANTY**

## MS9540 Voyager<sup>cc</sup>™

### Voyager with CodeGate

**A better way to scan...**

#### Features

- Automatic trigger with CodeGate®
- PowerLink, user-replaceable cables
- Adjustable stand
- Firmware updates via Flash ROM
- Custom edit the bar code data
- Short-range and long-range activation
- Easy programming using Windows® software or bar codes
- Supports commonly used interfaces, including USB
- OPOS system compatible

#### Metrologic's MS9540

**Voyager<sup>cc</sup>™** offers high performance scanning, a futuristic design and a more intuitive scanning system than other conventional, triggered scanners.

The MS9540 Voyager<sup>cc</sup> was designed to replace triggered scanners. In doing so, Metrologic's engineering department incorporated a feature called CodeGate that makes the MS9540 more intuitive to use than a triggered scanner. Using Metrologic's patented auto-trigger, the laser is automatically activated when a bar code is presented, allowing the user to easily select the bar code. Then with a press of the CodeGate but-

ton, the data is transmitted to the host system. This unique concept makes Voyager<sup>cc</sup> perfect for menu-scanning. When the MS9540 is placed in its stand, CodeGate is automatically deactivated allowing Voyager<sup>cc</sup> to be used as a fully automatic presentation scanner.

The MS9540 Voyager<sup>cc</sup> is equipped with many standard features such as Flash ROM, data editing, and PowerLink user-replaceable cables.

Metrologic is now backing the MS9540 Voyager<sup>cc</sup> with a standard 5-year warranty making it the scanner of choice for retail point-of-sale, menu-scanning and commercial/warehouse applications.



# MS9540 VoyagerCG™

# The CodeGate® Advantage

## OPERATIONAL

Light Source	Visible Laser Diode 650 nm ± 10 nm
Laser Power	0.96 mW (peak)
Depth of Scan Field (programmable)	0 mm - 203 mm (0" - 8") for 0.33 mm (13 mil) bar codes
Width of Scan Field	64 mm (2.5") @ face; 249 mm (9.8") @ 203 mm (8.0")
Scan Speed	72 ± 2 scan lines per second
Scan Pattern	Single scan line
Minimum Bar Width	0.127 mm (5.0 mil)
Decode Capability	Autodiscriminates all standard bar codes; for other symbologies call Metrologic
System Interfaces	PC Keyboard Wedge, RS232, OCIA, Light Pen Emulation, IBM 468X/469X, Stand Alone Keyboard, USB
Print Contrast	35% minimum reflectance difference
Number Characters Read	Up to 80 data characters
Roll, Pitch, Yaw	42°, 68°, 52°
Beeper Operation	7 tones or no beep
Indicators (LED)	Green = laser on, ready to scan Red = good read

## MECHANICAL

Height	198 mm (7.8")
Depth	40 mm (1.6")
Width - Handle	80 mm (3.1")
Width - Head	102 mm (4.0")
Weight	149 g (5.25 oz)
Termination	10 pin modular RJ45
Cable	Standard 2.7 m (9') coiled; optional 2.1 m (7') straight;

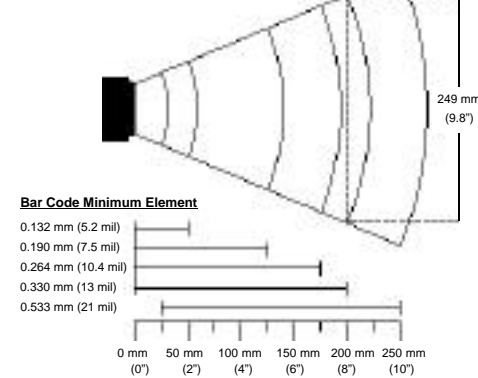
## ELECTRICAL

Input Voltage	5 VDC ± 0.25 V
Power - Operating	575 mW
Power - Standby	225 mW
Current - Operating	115 mA typical @ 5 VDC
Current - Standby	45 mA typical @ 5 VDC
DC Transformers	Class 2; 5.2 VDC @ 650 mA
Laser Class	CDRH: Class II; EN60825-1:1994/A11:1996 Class 1
EMC	FCC, ICES-003 & EN55022 Class B

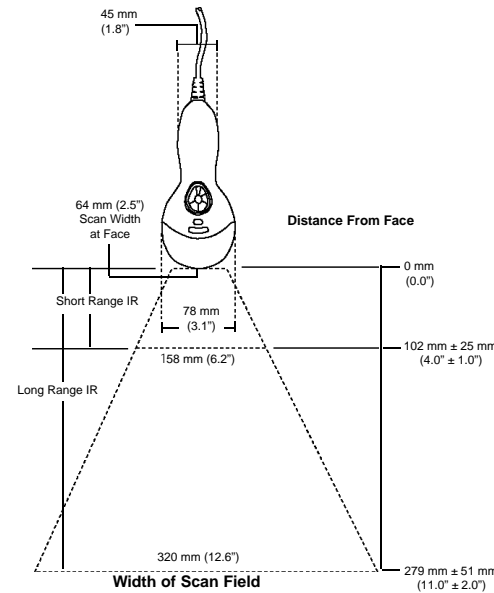
## ENVIRONMENTAL

Operating Temperature	0°C to 40°C (32°F to 104°F)
Storage Temperature	-40°C to 60°C (-40°F to 140°F)
Humidity	5% to 95% relative humidity, non-condensing
Light Levels	Up to 4842 Lux (450 footcandles)
Shock	Designed to withstand 1.5 m (5') drops
Contaminants	Sealed to resist airborne particulate contaminants
Ventilation	None required

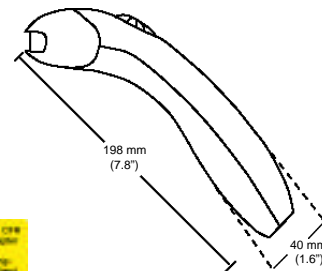
## Scan Area



## IR Activation and Scan Width



## Dimensions



Specifications subject to change without notice.  
Printed U.S.A., Copyright June 2001  
Metrologic, All rights reserved.



DS9540

## Menu Scanning



- Auto-Trigger activates the laser
- High-Visibility laser line helps you choose



- Pick the bar code you want
- Press the CodeGate button
- Eliminates incorrect scans

## Two Modes of Operation



- Auto-Trigger while in the stand
- Bar code is automatically decoded and transmitted



- CodeGate activates when removed from the stand
- Bar code data is transmitted when the CodeGate button is pressed

## CodeGate Gives You Control



- Auto trigger activates the laser
- Place the laser line on the bar code
- Press the CodeGate button to transmit the data



RUOSS-KISTLER AG, Kantonsstrasse 55, 8863 Buttikon

Tel.: (+41) 055 464 35 15 Mail: handel@ruoss-kistler.ch  
Fax: (+41) 055 464 35 01 Internet: www.ruoss-kistler.ch